

PRODUCT INFORMATION PACKET

Model No: 145TTDR14088

Catalog No: C150A

General Purpose Motor, 1 & 0.75 HP, 3 Ph, 60 & 50 Hz, 230/460 & 190/380 V, 1200 & 1000 RPM,
145TC Frame, DP



Regal and Marathon are trademarks of Regal Rexnord Corporation or one of its affiliated companies.

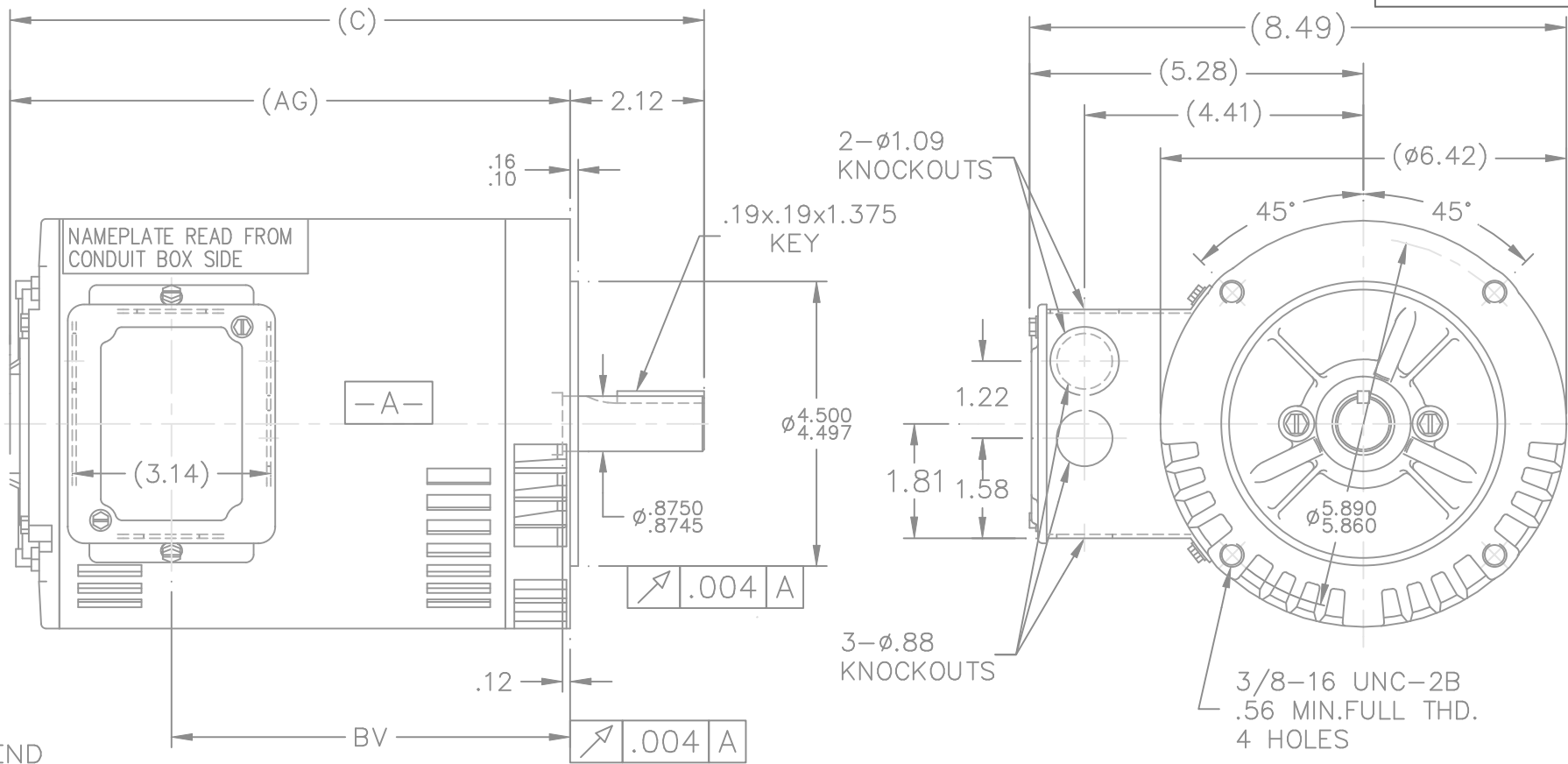
©2023 Regal Rexnord Corporation, All Rights Reserved. MC017097E

Nameplate Specifications

Phase	3	Output HP	1 & 0.75 Hp
Output KW	0.75 & 0.56 kW	Voltage	230/460 & 190/380 V
Speed	1155 & 965 rpm	Service Factor	1.15 & 1.0
Frame	145TC	Enclosure	Drip Proof
Thermal Protection	No Protection	Efficiency	80 & 81 %
Ambient Temperature	40 °C	Frequency	60 & 50 Hz
Current	3.6/1.8 & 3.6/1.8 A	Power Factor	62.5
Duty	Continuous	Insulation Class	B
Design Code	B	KVA Code	L
Drive End Bearing Size	205	Opp Drive End Bearing Size	203
UL	Recognized	CSA	Y
CE	Y	IP Code	22
Number of Speeds	1		

Technical Specifications

Electrical Type	Squirrel Cage Induction Run	Starting Method	Across The Line
Poles	6	Rotation	Reversible
Mounting	Round	Motor Orientation	Horizontal
Drive End Bearing	Ball	Opp Drive End Bearing	Ball
Frame Material	Rolled Steel	Shaft Type	T
Overall Length	13.49 in	Frame Length	9.56 in
Shaft Diameter	0.875 in	Shaft Extension	2.12 in
Assembly/Box Mounting	F1 ONLY		
Outline Drawing	A-100097-956	Connection Drawing	A-EE7308



TERM. END

DASH	FR.	C	AG	BV	DASH	FR.	C	AG	BV
					806	140TC	11.99	9.87	7.31
656	140TC	10.49	8.37	5.81	856	140TC	12.49	10.37	7.81
706	140TC	10.99	8.87	6.31	906	140TC	12.99	10.87	8.31
756	140TC	11.49	9.37	6.81	956	140TC	13.49	11.37	8.81

NOTES:
1. CONDUIT BOX CAN BE ROTATED 180°

				TOLERANCES UNLESS SPECIFIED		MARATHON ELECTRIC	DRAWN SMC 04-24-1991							
				DEC.	INCHES		CHK	ML	APPD	GK				
7	FRAME WAS 140TCZ	CN 31509	TJB	03-30-2001	.X	$\pm .1$								
6	ADDED SHAFT KEY NOTE: .19X.19X1.375	CN29200-1254	MSG	01-06-2001	.XX	$\pm .03$	TITLE OUTLINE							
5	REVISED 'C' DIMENSION	CN 29200-1189	MSG	12-11-2000	.XXX	$\pm .005$	140TC FR. DR.PR. - C'FACE							
4	REDRAWN ON CADD		SMC	04-24-1991	.XXXX	$\pm .0005$	MAT'L.							
NO.	REVISION		BY & DATE		CHK	ANG	$\pm 7'30''$	FINISH						
THIS DRAWING IN DESIGN AND DETAIL IS OUR PROPERTY AND MUST NOT BE USED EXCEPT IN CONNECTION WITH OUR WORK ALL RIGHTS OF DESIGN AND INVENTION ARE RESERVED THIS IS AN ELECTRONICALLY GENERATED DOCUMENT - DO NOT SCALE THIS PRINT						RFP	CAD FILE 100097			SIZE	DRAWING NO.	PAGE	OF	REV.
						DIST	WP	A	100097				7	



NO.		REVISION		BY & DATE		CHK		ANG		FINISH		PREV									
5	CHG TO REGAL LOGO	SL	09/10/2015	AB																	
4	REVISED IEC NOTATIONS	MSG	11/15/2011	CMN	.X	±.1															
3	ADDED IEC NOTATIONS... (U1), (V1) ETC. MU95194	MSG	5/10/2010	MJS	.XX	±.02															
2	ADDED THE OPTIONAL CORD CONNECTION MU46318	RDH	04/24/2003	DRS	.XXX	±.005															
1	REDRAWN	RM	11/20/1990		.XXXX	±.0005															
THIS DRAWING IN DESIGN AND DETAIL IS OUR PROPERTY AND MUST NOT BE USED EXCEPT IN CONNECTION WITH OUR WORK ALL RIGHTS OF DESIGN AND INVENTION ARE RESERVED THIS IS AN ELECTRONICALLY GENERATED DOCUMENT - DO NOT SCALE THIS PRINT										RFP		CAD FILE ee7308		SIZE A		DRAWING NO. EE7308		PAGE OF 5		REV. 5	
										DIST WP											

REGAL™ Regal Beloit America, Inc.

DRAWN RM 11/20/1990
CHK ML 11/21/1990
APPD SAS 04/24/2003
SCALE 1=1
REF
FMF
PREV

TITLE CONNECTION DIAGRAM
3Ø - DUAL VOLTAGE MOTOR

EC Declaration of Conformity

The undersigned representing
the manufacturer:

Regal Beloit America
100 East Randolph St.
Wausau, WI 54401

and the authorized representative
established within the Community:

Marathon Electric UK
6F Thistleton Road Ind. Estate
Market Overton
Oakham, Rutland LE15 7PP UK

are committed to providing customers with products that comply with applicable regulations and international protocols to which they are subject, including the requirements of the European Parliament Directive on the Harmonization of the laws relating to electrical equipment designed for use within certain voltage limits (2014/35/EU).

Regal Beloit America declares that the following product(s), to which this declaration relates, are in conformity with the relevant sections of the EC standards listed below.

This statement supersedes any statements previously issued pertaining to the product(s) listed below and is subject to change without notice.

Model No : 145TTDR14088

(Model No. may contain prefix and/or suffix characters)

Catalog No : C150A

Rework No : N/A

Directives :

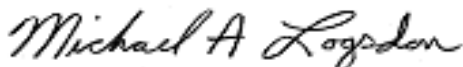
Low Voltage Directive 2014/35/EU

Harmonized Standards Used :

EN 60034-1: 2010 (IEC 60034-1: 2010)

EN 60034-5: 2001/A1:2007 (IEC 60034-5: 2000/A1:2006)

Authorized Representative:



Michael A. Logsdon
Vice President, Technology

Authorized Representative in the Community:



Julian Clark
Marketing Engineer

Created on 09/06/2022

CE 22